

ICP03 V2-

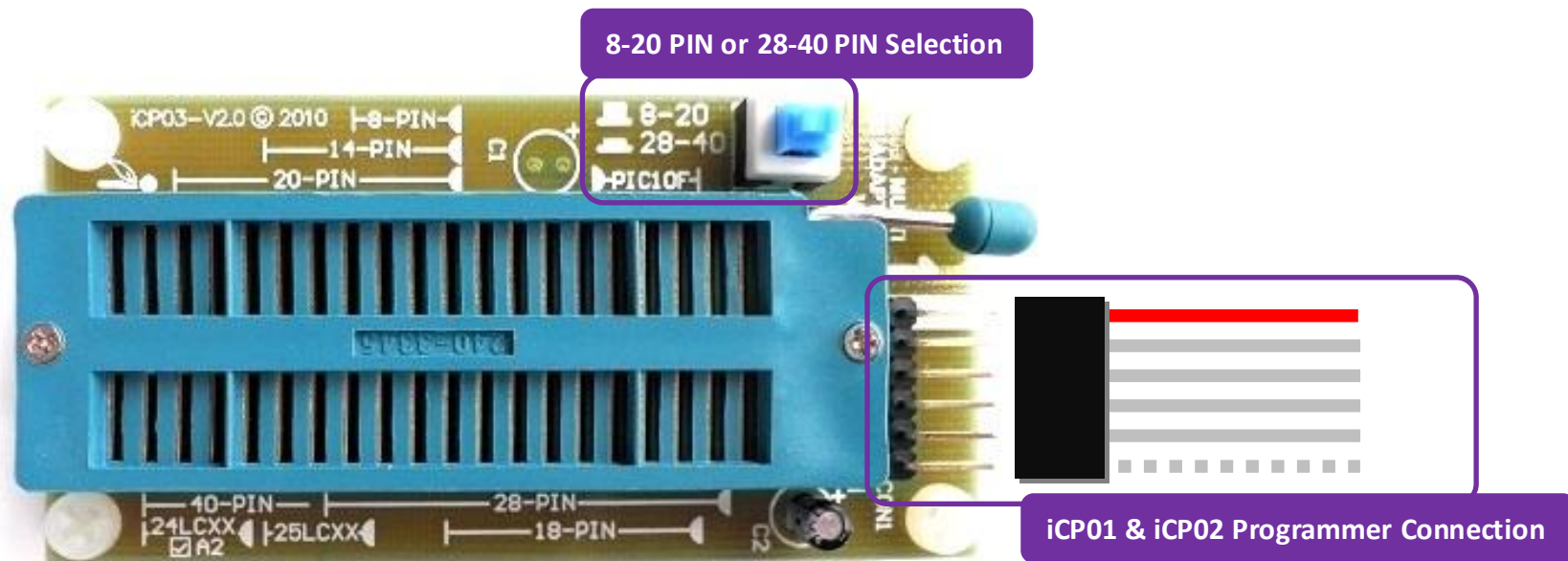


MULTI PIC
ADAPTER

1. Introduction and overview

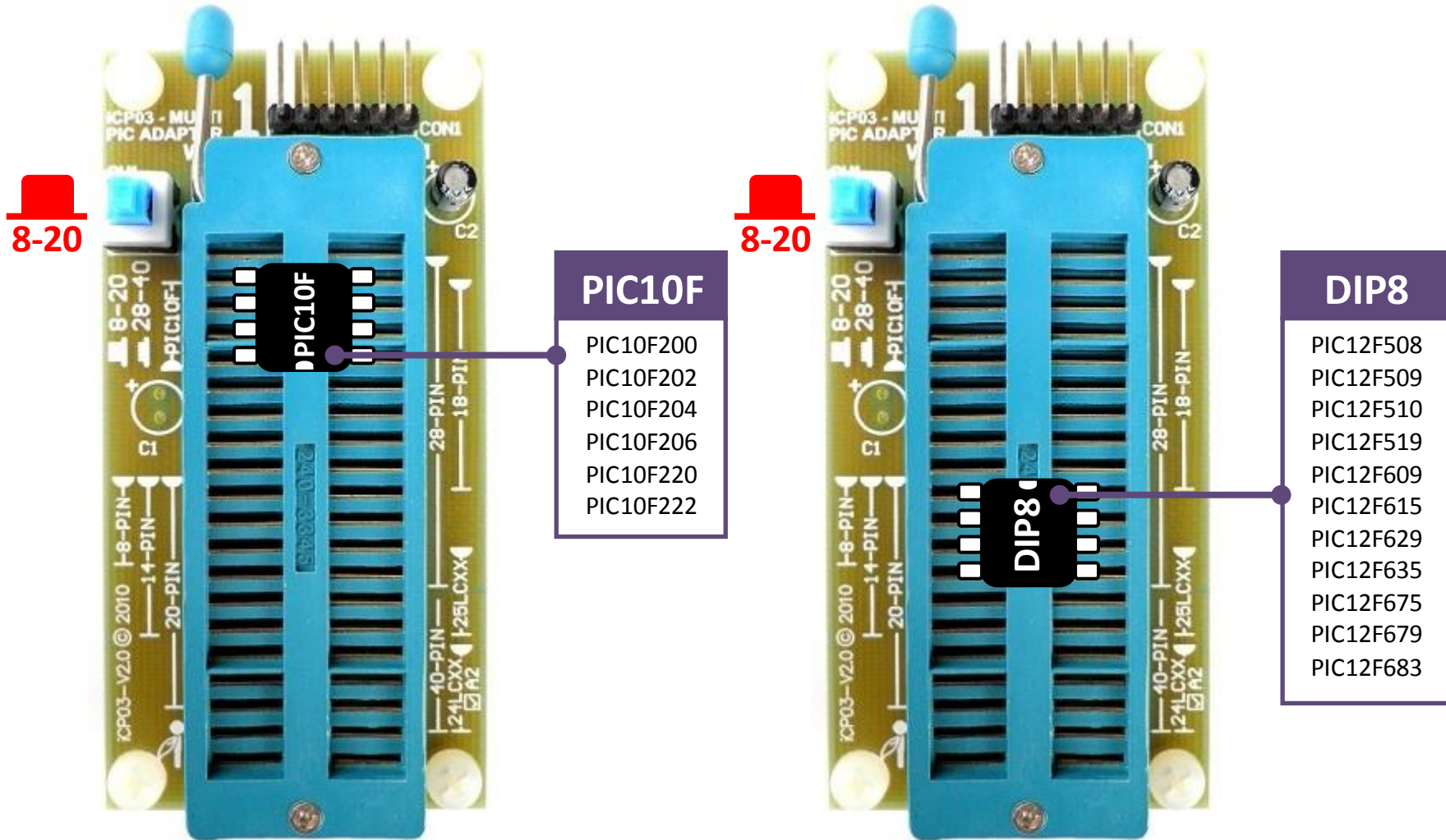
iCP03 offers a scalability for PIC programmer solution. The features of iCP03 are listed as followings.

- Low cost, high performance and user friendly device
- Used for programming the popular Flash PIC MCU, includes PIC10F, PIC12F, PIC16F and PIC18F family
- Serial EEPROM 24LCXX and 25LCXX devices are supported for read and write operation with iCP02 Programmer
- No external power supply is required, direct power from programmer
- Small size (Dimension: 7.9cm X 4.0cm X 1.9cm), easy to carry and store
- Compatible with iCP01 and iCP02 – USB PIC Programmer

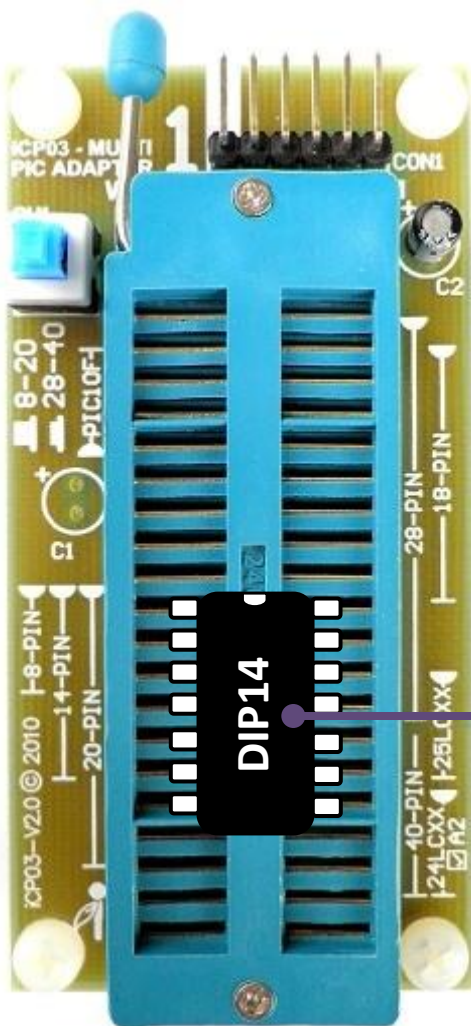


2. PIC Location

With iCP01 & iCP02:



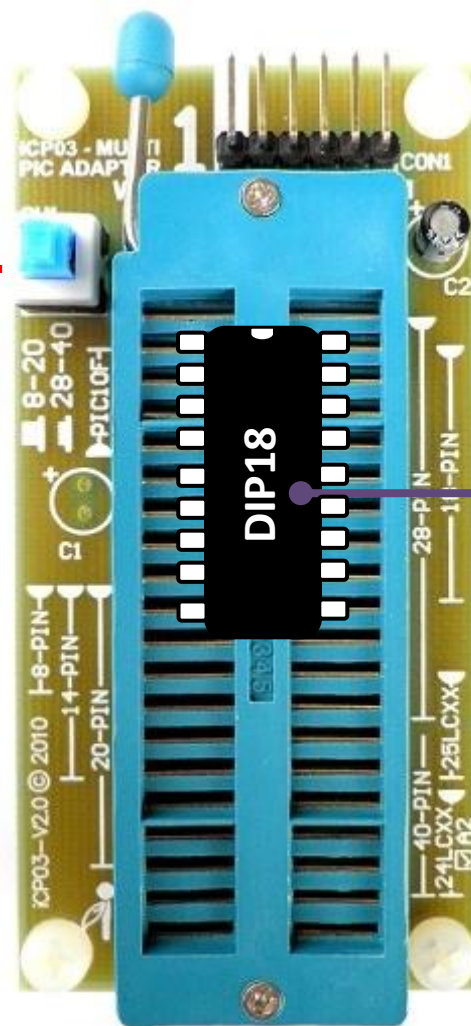
8-20



DIP14

- PIC16F505
- PIC16F506
- PIC16F526
- PIC16F610
- PIC16F616
- PIC16F630
- PIC16F636
- PIC16F676
- PIC16F684
- PIC16F688

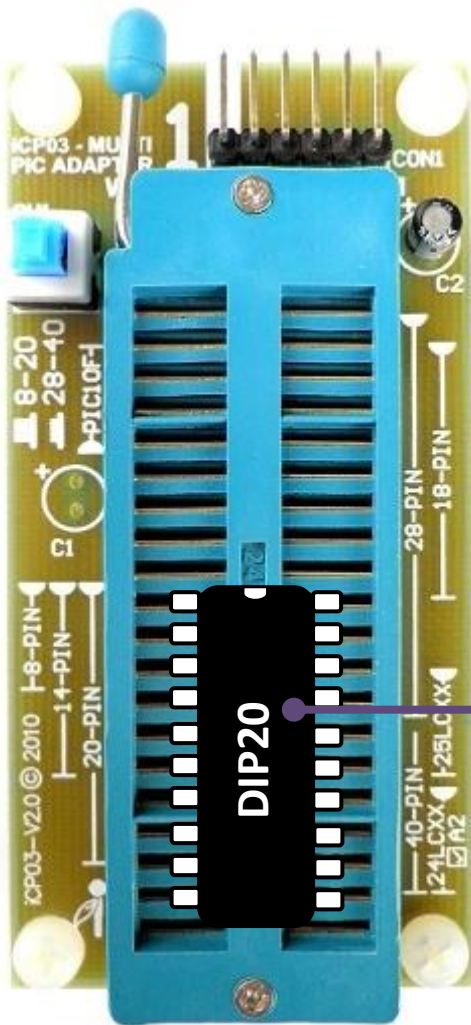
8-20



DIP18

- PIC16F54
- PIC16F84A
- PIC16F87
- PIC16F88
- PIC16F627A
- PIC16F628A
- PIC16F648A
- PIC16F716
- PIC16F818
- PIC16F819
- PIC16F1826
- PIC16F1827
- PIC18F1320
- PIC18F1330
- PIC18F1220
- PIC18F1230

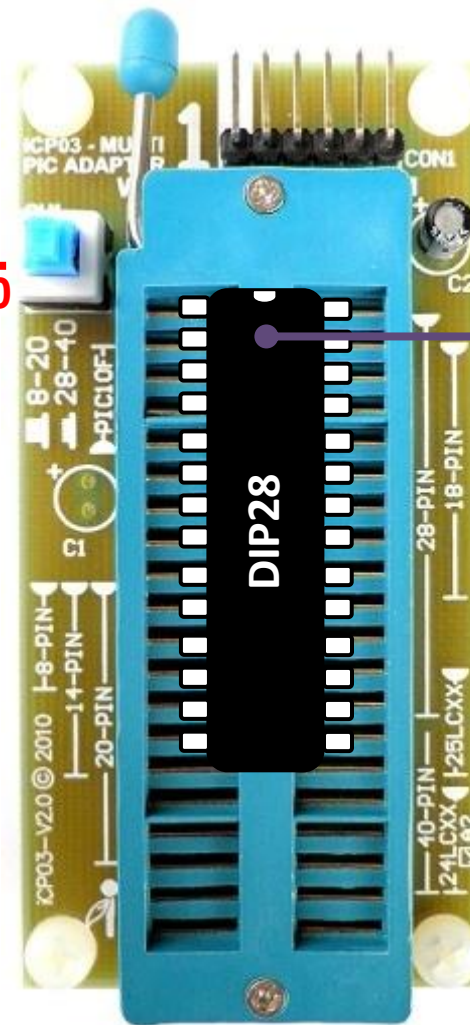
8-20



DIP20

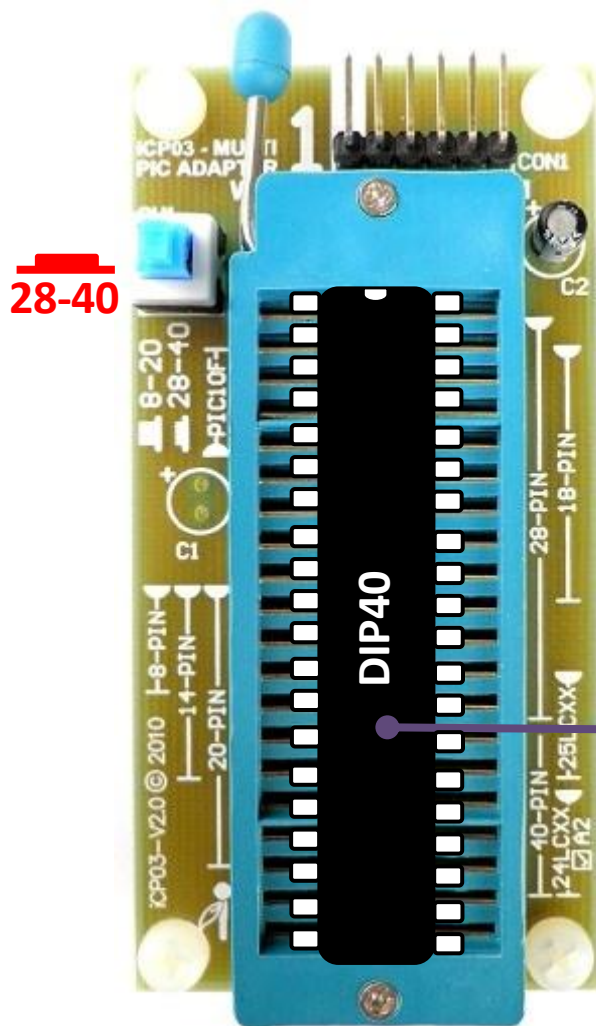
- PIC16F631
- PIC16F639
- PIC16F677
- PIC16F685
- PIC16F687
- PIC16F689
- PIC16F690
- PIC16F785

28-40



DIP28

- | | |
|------------|------------|
| PIC16F72 | |
| PIC16F73 | PIC16F722 |
| PIC16F723 | PIC16F726 |
| PIC16F737 | PIC16F767 |
| PIC16F870 | PIC16F872 |
| PIC16F873A | PIC16F882 |
| PIC16F883 | PIC16F886 |
| PIC16F913 | PIC16F916 |
| PIC16F1933 | PIC16F1936 |
| PIC16F1938 | PIC18F2220 |
| PIC18F2221 | PIC18F2320 |
| PIC18F2321 | PIC18F2331 |
| PIC18F2410 | PIC18F2420 |
| PIC18F2423 | PIC18F2431 |
| PIC18F2450 | PIC18F2458 |
| PIC18F2480 | PIC18F2510 |
| PIC18F2515 | PIC18F2520 |
| PIC18F2523 | PIC18F2525 |
| PIC18F2553 | PIC18F2580 |
| PIC18F2585 | PIC18F2610 |
| PIC18F2620 | PIC18F2680 |
| PIC18F2682 | PIC18F2685 |

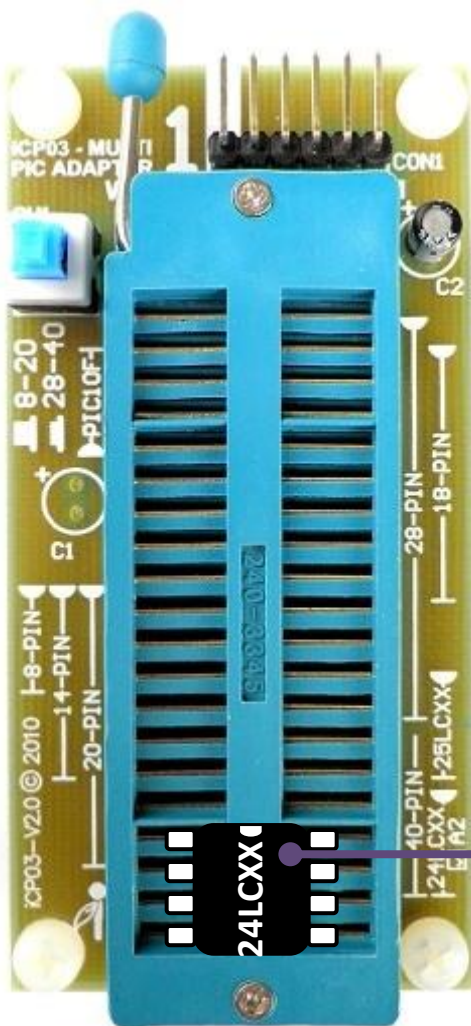


DIP40

- PIC16F74
- PIC16F77 PIC16F1937
- PIC16F727 PIC16F724
- PIC16F747 PIC16F777
- PIC16F871 PIC16F877A
- PIC16F884 PIC16F887
- PIC16F914 PIC16F917
- PIC16F1939 PIC18F4220
- PIC18F4221 PIC18F4320
- PIC18F4321 PIC18F4331
- PIC18F4410 PIC18F4420
- PIC18F4423 PIC18F4431
- PIC18F4450 PIC18F4455
- PIC18F4458 PIC18F4480
- PIC18F4510 PIC18F4515
- PIC18F4520 PIC18F4523
- PIC18F4525 PIC18F4550
- PIC18F4553 PIC18F4580
- PIC18F4585 PIC18F4610
- PIC18F4620 PIC18F4680
- PIC18F4682 PIC18F4685

With **iCP02** only:

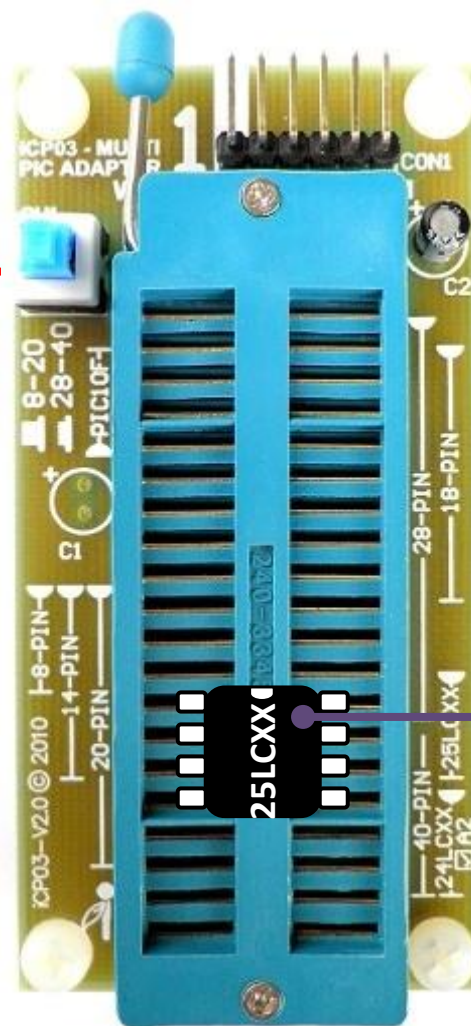
8-20



24LCXX
 A2 Chip Select

- 24LC00
- 24LC01B
- 24LC02B
- 24LC32A
- 24LC64
- 24LC128
- 24LC256
- 24LC512
- 24LC1025

8-20



25LCXX

- 25LC010A
- 25LC020A
- 25LC040A
- 25LC080A
- 25LC080B
- 25LC128
- 25LC160A
- 25LC160B
- 25LC256
- 25LC320A
- 25LC512
- 25LC640A
- 25LC1024

Disclaimer

iCircuit Technologies has an on going policy to improve the performance and reliability of their products; we therefore reserve the right to make changes without notice. The information contained in this data sheet is believed to be accurate however we do not assume any responsibility for errors or any liability arising from the application or use of any product or circuit described herein. This data sheet neither states nor implies warranty of any kind, including fitness for any particular application.

Any liability from defect or malfunction is limited to the replacement of product ONLY, and does not include labour or other incurred corrective expenses.

Using or continuing to use these devices hereby binds the user to these terms.

CONTACT INFORMATION

For further information or technical assistance please contact:

Web: <http://www.piccircuit.com>

Email: support@piccircuit.com